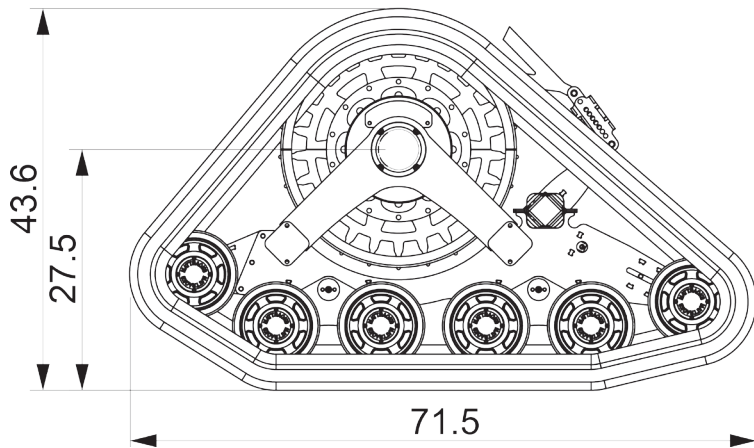




9000 Series

TA9000-H0



Exclusive Anti-Torque System	Rubber Torsion
Frame Construction	HSLA Steel
Recommended Max Gross per corner	7,500 lbs per corner
Internal Suspension	Concentric Pivot w/ Rocker Arm
Track Tread Width	30"
Tread Style	All-Terrain Self-Cleaning
Track Material	Rubber with Internal Composite Rods and Cord
Recommended Operating Temperature	(Ambient) -40°F to +130°F (-40°C to +55°C)
Axle Height	27.5"
Ground Contact Area	1,689 in ²
Corners	2
Sprocket Diameter	28"
Wheels (Shielded & Sealed Bearings)	(16) 2.5" x 10"
Recommended Max Speed**	20 mph
Turning Radius	Same as original vehicle
Max Operating Side Slope (Grade)*	25%
Terrain	All-Terrain
Max Distance Off-Road	Indefinite
Max Distance Hard Surface**	At Below 80°F (26°C): Indefinite
At Above 80°F (26°C)	15 Miles at Max Speed

*DEPENDENT ON VEHICLE, CARGO, AND ACCESSORIES **SOME VEHICLES MAY REQUIRE SLIGHT ALTERATIONS
 ALL SPECIFICATIONS ARE APPROXIMATE AND WE RESERVE THE RIGHT TO MAKE CHANGES OR MODIFICATIONS WITHOUT NOTIFICATION



202 Cleveland Ave E · PO Box 214 · Karlstad, MN 56732 · 877.436.7800 · mattracks.com